

# Surgical Solutions

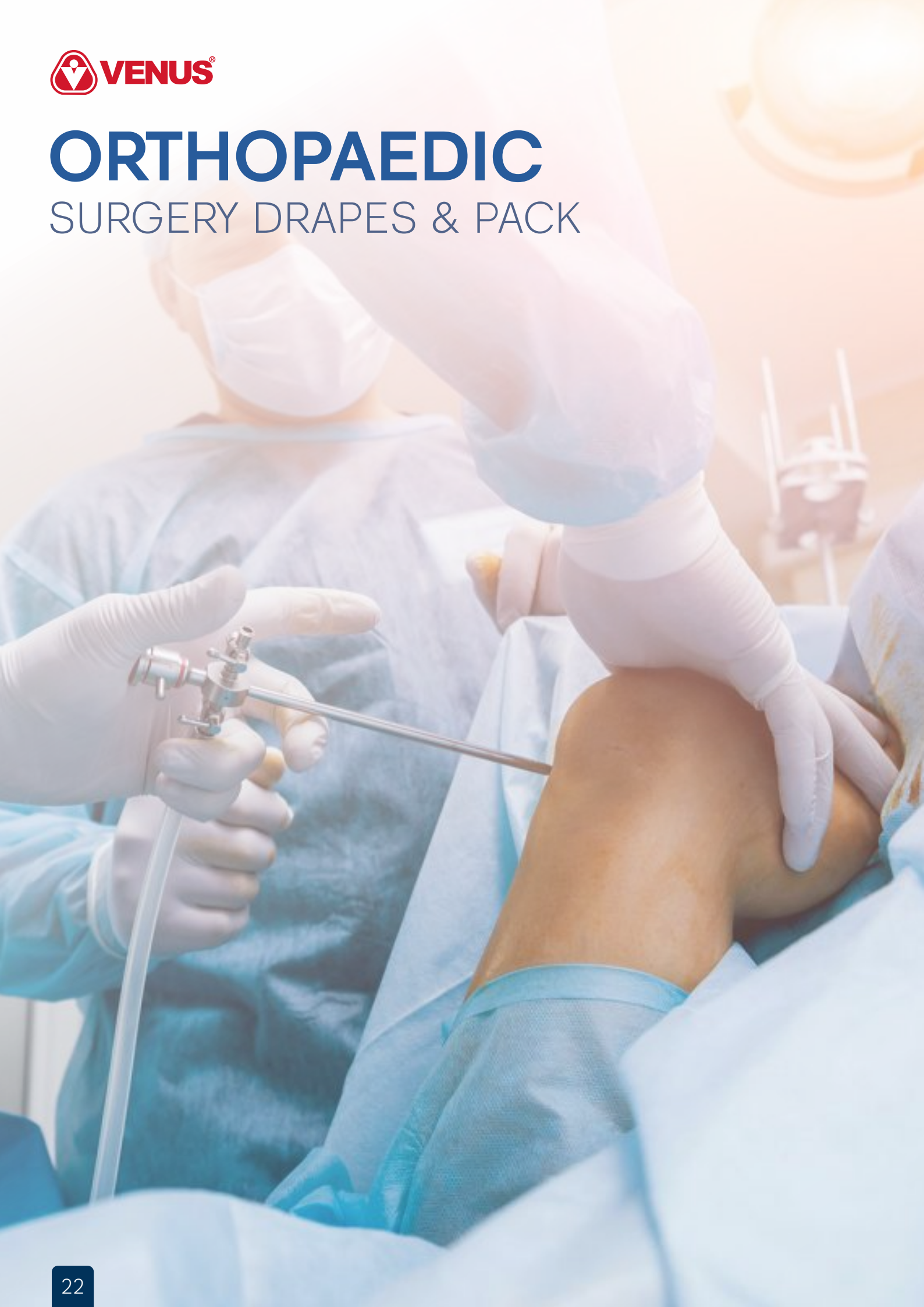
COMFORT AND SAFETY  
THAT INSPIRES  
CONFIDENCE





# ORTHOPAEDIC

## SURGERY DRAPES & PACK

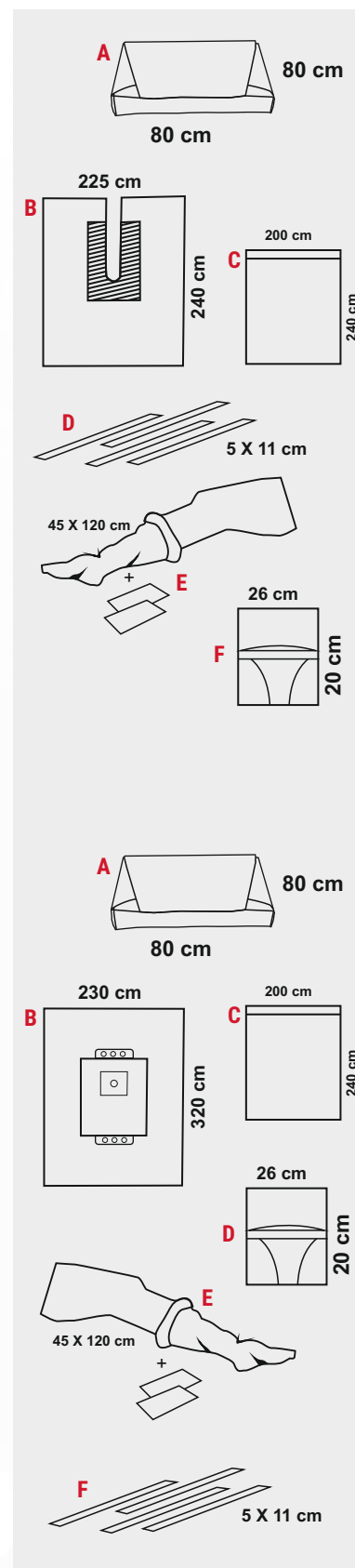


# ORTHOPAEDIC

## SURGERY DRAPES & PACK

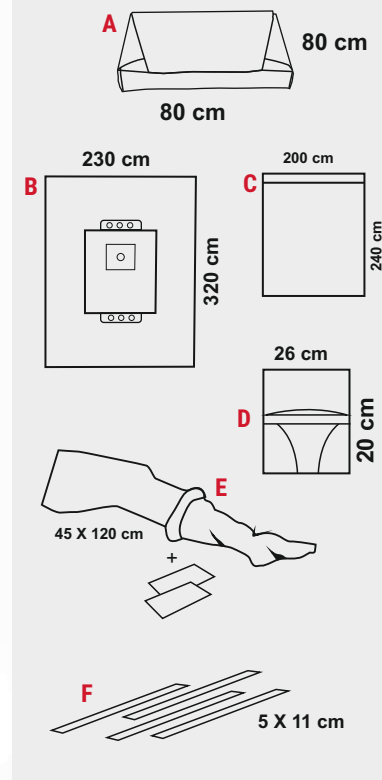
### 51001 - Hip U Drape Pack

Item #	DESCRIPTION		
330100101	51001 Hip U Drape Pack		
No.	CONTENTS	Nos.	SIZE
A	Sterilization Wrap	1	80 x 80 cm
B	Hip U Drape	1	240 x 225 cm
C	Head Drape	1	200 x 240 cm
D	Tape Strips	4	5 x 11 cm
E	Impervious Legging Large with Hygiene Film 2-Tape Strips	1	45 x 120 cm
F	Cautery Bag	1	26 x 20 cm

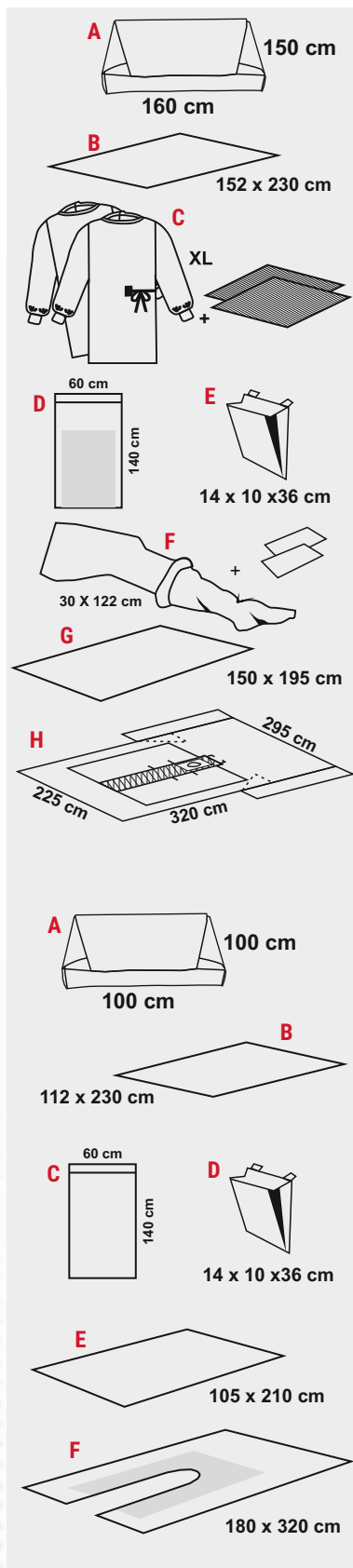


### 51002 - Knee O Drape Pack

Item #	DESCRIPTION		
330100201	51002 Knee O Drape Pack		
No.	CONTENTS	Nos.	SIZE
A	Sterilization Wrap	1	80 x 80 cm
B	Knee O Drape / Extremity Drape Reinf.	1	230 x 320 cm
C	Head Drape	1	200 x 240 cm
D	Cautery Bag	1	26 x 20 cm
E	Impervious Legging Large without Reinf. 2-Tape Strips	1	45 x 120 cm
F	Tape Strips	4	5 x 11 cm



# ORTHOPAEDIC SURGERY DRAPES & PACK



## 51003 - Hip Pack

Item #	DESCRIPTION		
<b>330100301</b>	<b>51003 Hip Pack</b>		
No.	CONTENTS	Nos.	SIZE
A	Sterilization Wrap	1	150 x 160 cm
B	Back table Cover Reinf.	1	152 x 230 cm
C	Reinforced Surgical Gown + 2-Hand towels	2	XL
D	Mayo Stand Cover Delux Reinf.	1	60 x 140 cm
E	Suture Bag	1	14 x 10 x 36 cm
F	Impervious Stockinette + 2-Tape Strip	1	30 x 122 cm
G	Large Drape	1	150 x 195 cm
H	Hip Drape with Leg Pocket	1	295 x 225 x 320 cm

## 51004 - U Bar Pack

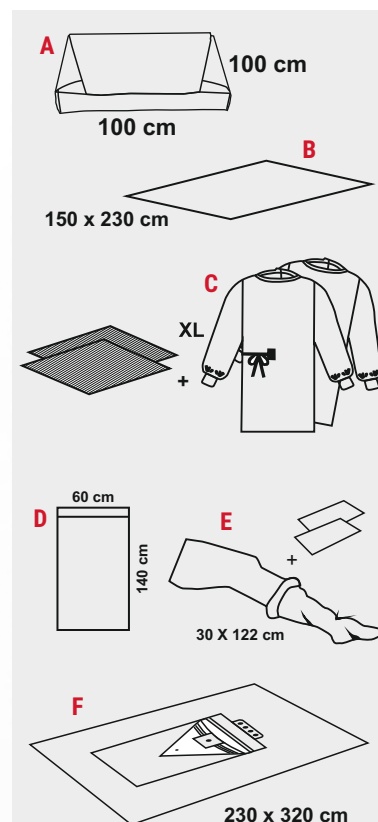
Item #	DESCRIPTION		
<b>330100401</b>	<b>51004 U Bar Pack</b>		
No.	CONTENTS	Nos.	SIZE
A	Sterilization Wrap	1	100 x 100 cm
B	Back Table Cover Dix. Reinf.	1	112 x 230 cm
C	Mayo Stand Cover Dix. Reinf.	1	60 x 140 cm
D	Suture Bag	1	14 x 10 x 36 cm
E	Bar Drape Reinforced	1	105 x 210 cm
F	Leg U Drape Reinforced	1	180 x 320 cm



# ORTHOPAEDIC SURGERY DRAPES & PACK

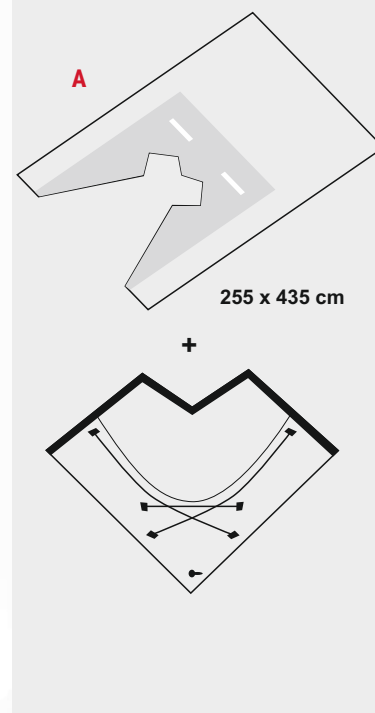
## 51005 - Knee Arthroscopy Pack

Item #	DESCRIPTION		
<b>330100501</b>	<b>51005 Knee Arthroscopy Pack</b>		
No.	CONTENTS	Nos.	SIZE
A	Sterilization Wrap	1	100 x 100 cm
B	Back Table Cover Reinf.	1	150 x 230 cm
C	Reinforced Surgical Gown + 2-Hand towels	2	XL
D	Mayo Stand Cover Dix. Reinf.	1	60 x 140 cm
E	Impervious Stockinette + 2-Tape Strips	1	30 x 122 cm
F	Knee Arthroscopy Drape with Fluid Collection Pouch	1	230 x 320 cm



## 50001 - Beach Chair Shoulder Arthroscopy Drape

Item #	DESCRIPTION		
<b>330101101</b>	<b>50001 Beach Chair Shoulder Arthroscopy Drape</b>		
No.	CONTENTS	Nos.	SIZE
A	2pc Design	1	255 x 435 cm





# NEUROLOGY

DRAPES & PACK



# NEUROLOGY

## DRAPES & PACK

### 50002 - Craniotomy Drape

Item #	DESCRIPTION		
330101201	50002 Craniotomy Drape		
No.	CONTENTS	Nos.	SIZE
A	Craniotomy Drape	1	160 x 250 cm

### 50003 - Shunt Drape

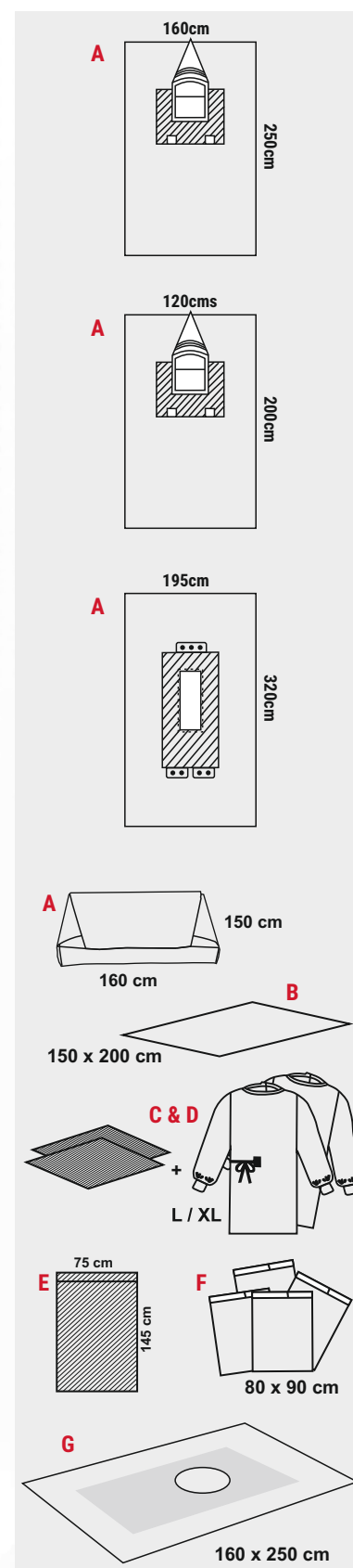
Item #	DESCRIPTION		
330101601	50003 Shunt Drape		
No.	CONTENTS	Nos.	SIZE
A	Shunt Drape	1	120 x 200 cm

### 50004 - Lamino Spinal Drape

Item #	DESCRIPTION		
330101701	50004 Lamino Spinal Drape		
No.	CONTENTS	Nos.	SIZE
A	Lamino Spinal Drape	1	195 x 320 cm

### 51006 - Craniotomy Pack

Item #	DESCRIPTION		
330101901	51006 Craniotomy Pack		
No.	CONTENTS	Nos.	SIZE
A	Sterilization Wrap	1	150 x 160 cm
B	Back Table Cover	2	150 x 200 cm
C	Reinforced Surgical Gown + 2-Hand towels	1	L
D	Reinforced Surgical Gown + 2-Hand towels	2	XL
E	Mayo Stand Cover Delux Reinf.	1	75 x 145 cm
F	Side Drape	4	80 x 90 cm
G	Craniotomy Drape	1	160 x 250 cm





# GENERAL SURGERY

DRAPES & PACK





# GENERAL SURGERY

## DRAPES & PACK

### 50005 - Laprotomy Drape

Item #	DESCRIPTION		
330102001	50005 Laprotomy Drape		
No.	CONTENTS	Nos.	SIZE
A	Laprotomy Drape	1	195 x 320 cm

### 50006 - Major Drape

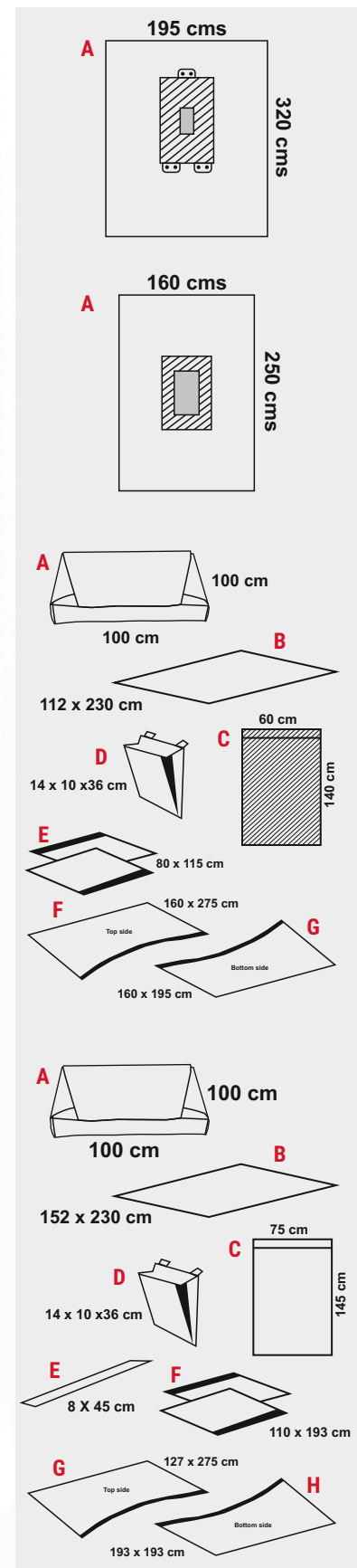
Item #	DESCRIPTION		
330102101	50006 Major Drape		
No.	CONTENTS	Nos.	SIZE
A	Major Drape	1	160 x 250 cm

### 51007 - Universal Pack Minor

Item #	DESCRIPTION		
330102201	51007 Universal Pack Minor		
No.	CONTENTS	Nos.	SIZE
A	Sterilization Wrap	1	100 x 100 cm
B	Back Table Cover Delux. Reinf.	1	112 x 230 cm
C	Mayo Stand Cover Reinf.	1	60 x 140 cm
D	Suture Bag	1	14 x 10 x 36 cm
E	Side Drape Reinf. + Adhesive	2	80 x 115 cm
F	Top Drape Reinf. + Adhesive	1	160 x 275 cm
G	Bottom Drape Reinf. + Adhesive	1	160 x 195 cm

### 51008 - Universal Pack Large

Item #	DESCRIPTION		
330102301	51008 Universal Pack Large		
No.	CONTENTS	Nos.	SIZE
A	Sterilization Wrap	1	100 x 100 cm
B	Back Table Cover Cover, Delux. Reinf.	1	152 x 230 cm
C	Mayo Stand Cover, Delux. Reinf.	1	75 x 145 cm
D	Suture Bag	1	14 x 10 x 36 cm
E	Tape Strip	1	8 x 45 cm
F	Side Drape Reinf. + Adhesive	2	110 x 193 cm
G	Top Drape Reinf. + Adhesive	1	127 x 275 cm
H	Bottom Drape Reinf. + Adhesive	1	193 x 193 cm





# CARDIOVASCULAR

DRAPES & PACK



# CARDIOVASCULAR

## DRAPES & PACK

### 50007 - Femoral Angiography Drape

Item #	DESCRIPTION
--------	-------------

330102401	50007 Femoral Angiography Drape
-----------	---------------------------------

No.	CONTENTS	Nos.	SIZE
A	Femoral Angiography Drape	1	208 x 320 cm

### 50008 - Radial Femoral Angiography Drape

Item #	DESCRIPTION
--------	-------------

330102501	50008 Radial Femoral Angiography Drape
-----------	--

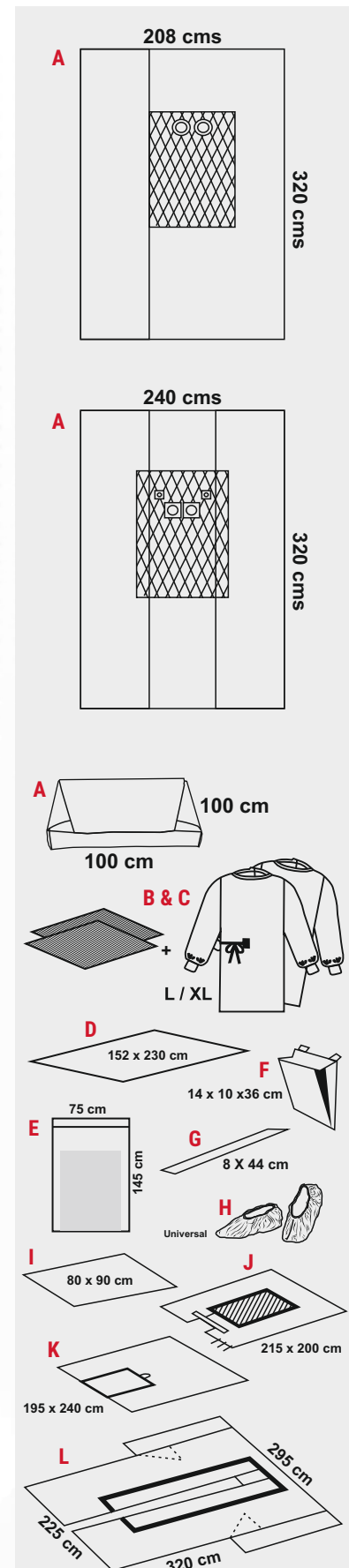
No.	CONTENTS	Nos.	SIZE
A	Radial Femoral Angiography drape	1	240 x 320 cm

### 51009 - Cardiac Pack

Item #	DESCRIPTION
--------	-------------

330102701	51009 Cardiac Large
-----------	---------------------

No.	CONTENTS	Nos.	SIZE
A	Sterilization Wrap	1	100 x 100 cm
B	Surgical Gown + 2-Hand towels	1	L
C	Surgical Gown + 2-Hand towels	2	XL
D	Back Table Cover, Delux. Reinf.	1	152 x 230 cm
E	Mayo Stand Cover, Delux. Reinf.	1	75 x 145 cm
F	Suture Bag	1	14 x 10 x 36 cm
G	Tape Strip	2	8 x 44 cm
H	Foot covers	2	Universal
I	Small Drape w/Adhesive	1	80 x 90 cm
J	Bilateral Under-Leg / Perineal Drape	1	215 x 200 cm
K	X-Large Drape Reinf.	1	195 x 240 cm
L	Cardiac Split Drape	1	295 x 225 x 320 cm





# GYNAECOLOGY

DRAPES & PACK

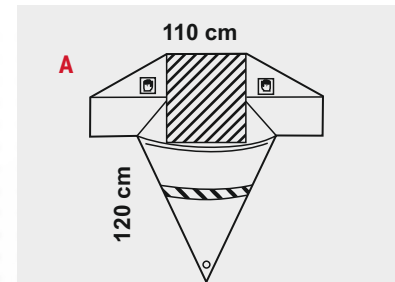


# GYNAECOLOGY

## DRAPES & PACK

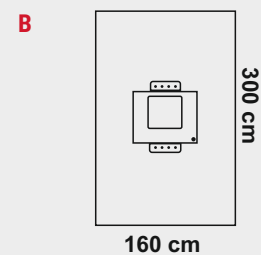
### 50009 - Under Buttock Drape with Fluid Collection Pouch

Item #	DESCRIPTION		
330101301	50009 Under Buttock Drape with Fluid Collection Pouch		
No.	CONTENTS	Nos.	SIZE
A	Under Buttock Drape with Fluid	1	110 x 120 cm



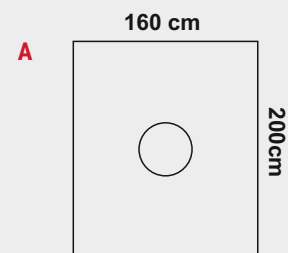
### 50010 - Caesarean Drape

Item #	DESCRIPTION		
330101401	50010 Caesarean Drape		
No.	CONTENTS	Nos.	SIZE
B	Caesarean Drape	1	160 x 300 cm



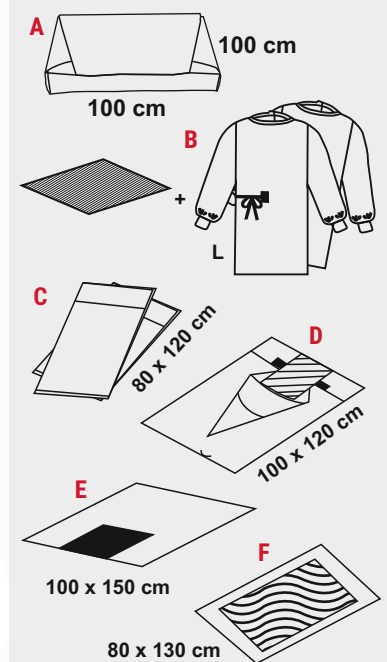
### 50011 - Circular Fenestrated Drape

Item #	DESCRIPTION		
330100601	50011 Circular Fenestrated Drape		
No.	CONTENTS	Nos.	SIZE
A	Circular Fenestrated Drape	1	160 x 200 cm



### 51010 - Delivery Pack

Item #	DESCRIPTION		
330100801	51010 Delivery Pack		
No.	CONTENTS	Nos.	SIZE
A	Sterilization Wrap	1	100 x 100 cm
B	Surgical Gown 'L' + 1-Hand towels	2	L
C	Legging with cuff	2	80 x 120 cm
D	Under Buttock Drape w/Fluid Collection pouch	1	100 x 120 cm
E	Abdominal Drape Reinf.	1	100 x 150 cm
F	Baby Blanket	1	80 x 130 cm



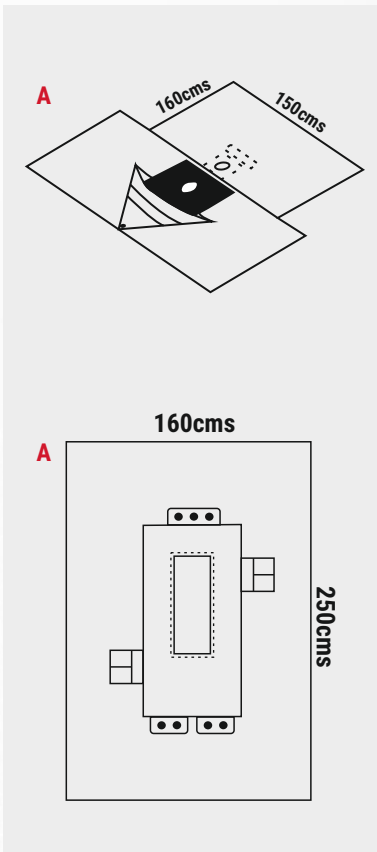
# UROLOGY

## DRAPES

[Table of Contents](#)

## UROLOGY

### DRAPES



### 50012 - T.U.R.P Drape with Attached Legging

Item #	DESCRIPTION		
330100901	50012 T.U.R.P Drape with Attached Legging		
No.	CONTENTS	Nos.	SIZE
A	T.U.R.P Drape with Attached Legging	1	160 x 150 cm

### 50013 - PCNL Drape with Attached Cautery Bag

Item #	DESCRIPTION		
330101001	50013 PCNL Drape with Attached Cautery Bag		
No.	CONTENTS	Nos.	SIZE
A	PCNL Drape with Attached Cautery Bag	1	160 x 250 cm

# DOCTORS'S KIT

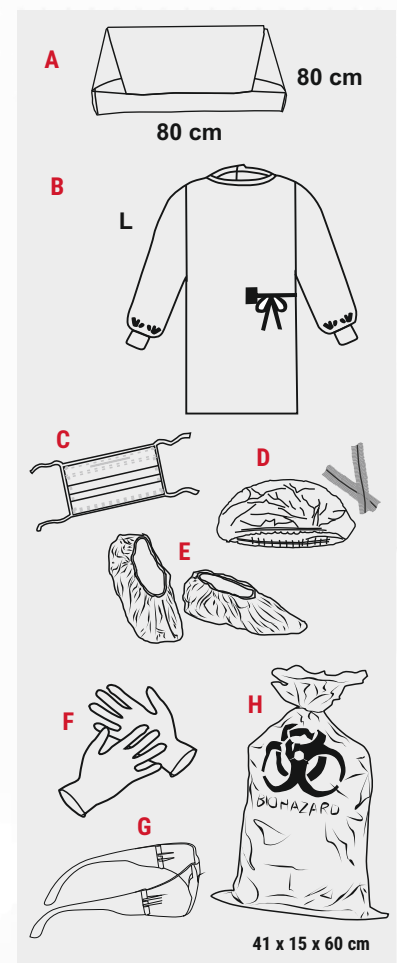


[Table of Contents](#)

## DOCTORS'S KIT

### 51011 - Doctors's Kit

Item #	DESCRIPTION		
330102801	51011 Doctors's Kit		
No.	CONTENTS	Nos.	SIZE
A	Sterilization Wrap	1	80 x 80 cm
B	Surgeon Gown	1	L
C	Mask 3 Lay. Tie	1	Universal
D	Hood Cap	1	Universal
E	Shoe Legging NWF	2	Universal
F	Latex Gloves	1	7.5
G	Goggles (E-102 Anti Fog)	1	Universal
H	Bio Hazard Bag	1	41 x 15 x 60 cm

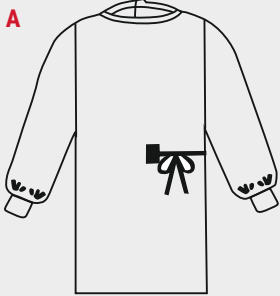


# SURGICAL GOWNS



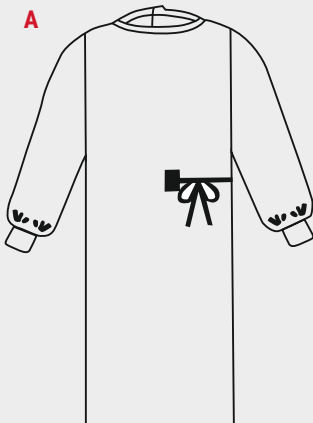
[Table of Contents](#)

## SURGICAL GOWN



### 50014 - Venus Iris Surgeon Gown

Item #	DESCRIPTION		
330102901	50014 Venus Iris Surgeon Gown		
No.	SPECS ACTUAL	Nos.	SIZE
A	Medical Disposable Surgical Gown	1	L



### 50015 - Venus Iris Surgeon Gown

Item #	DESCRIPTION		
330103001	50015 Venus Iris Surgeon Gown		
No.	SPECS ACTUAL	Nos.	SIZE
A	Medical Disposable Surgical Gown	1	XL



# SURGICAL GOWN

## 50016 - Venus Hero Surgeon Gown

Item #	DESCRIPTION		
330103101	50016 Venus Hero Surgeon Gown		
No.	SPECS ACTUAL	Nos.	SIZE
A	Medical Disposable Surgical Gown	1	L

## 50017 - Venus Hero Surgeon Gown

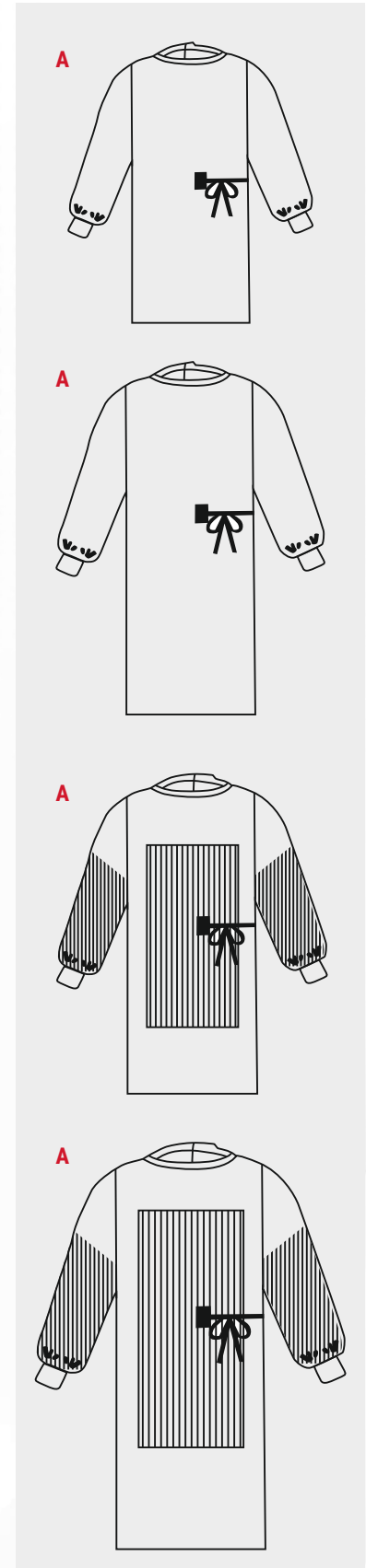
Item #	DESCRIPTION		
330103201	50017 Venus Hero Surgeon Gown		
No.	SPECS ACTUAL	Nos.	SIZE
A	Medical Disposable Surgical Gown	1	XL

## 50018 - Venus Orion Surgeon Gown

Item #	DESCRIPTION		
330103301	50018 Venus Orion Surgeon Gown		
No.	SPECS ACTUAL	Nos.	SIZE
A	Medical Reinforced Disposable Surgical Gown	1	L

## 50019 - Venus Orion Surgeon Gown

Item #	DESCRIPTION		
330103401	50019 Venus Orion Surgeon Gown		
No.	SPECS ACTUAL	Nos.	SIZE
A	Medical Reinforced Disposable Surgical Gown	1	XL





**High Protection ! Best Comfort ! Great Value !**

**MFG. BY:**

- **Venus Safety & Health Pvt. Ltd.**  
T-15, Khairane-Budruk, MIDC-Taloja, Dist-Raigad,  
Maharashtra 410208, India. (Unit-K)
- **Customer Care No. For Query / Feedback :**  
1800 26 72346 / 1800 22 2646.

E-mail : [info@venusohs.com](mailto:info@venusohs.com)  
Website : [www.venusohs.com](http://www.venusohs.com)

Address as above

**MKT. BY:**

- **Venus Safety & Health Pvt. Ltd.**  
L-75 / 76, Tondre, MIDC-Taloja, Dist-Raigad, Maharashtra 410208, India. (Unit-A)
- **Venus Safety & Health MENA (FZE)**  
P.B. No. 52093, Sharjah, United Arab Emirates.  
E-mail: [mena@venusohs.com](mailto:mena@venusohs.com)

